

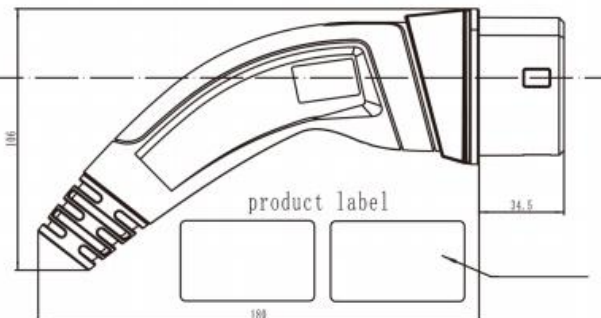
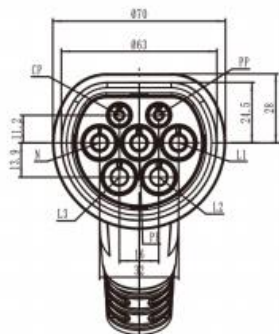
Customer name:

Type2-Type2 32A/480V AC 5m

版本号 Ver	更改通知单号 ECN	更改标记 MARK	描述 DESCRIPTION	日期 DATE	签字 APP	校对 CHK



Type II
2-IIe



Technical parameters

Current and Voltage : 32A 480V AC

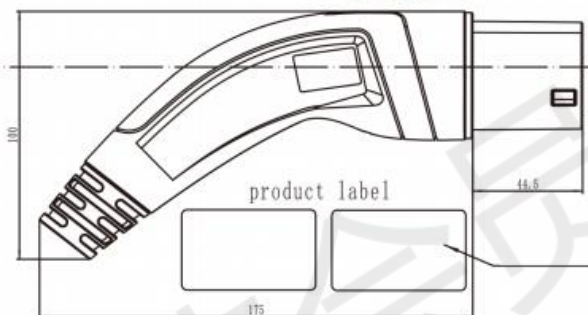
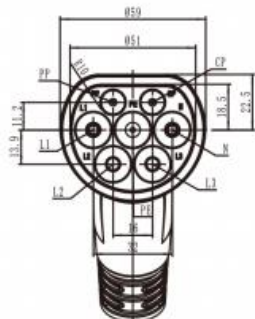
Signal current : 2A 30V

Protection Degree : IP55

Cable specification

Function	32A 480V AC	Function
L1 (1)	6 mm ² Brown	L1 (1)
L2 (2)	6 mm ² Black	L2 (2)
L3 (3)	6 mm ² Grey	L3 (3)
N (4)	6 mm ² Blue	N (4)
PE (5)	6 mm ² Yellow-green	PE (5)
CP (6)	0.5 mm ² White	CP (6)
PP (7)		PP (7)

Type II
2-IIb



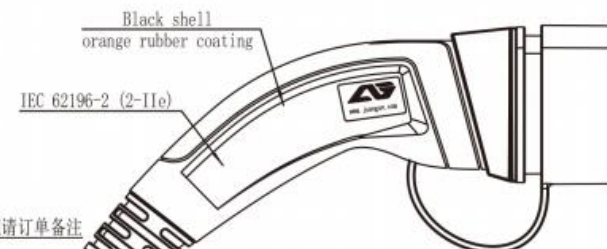
32A 3P+N+PE+PP+CP

Type II , was designed according to the standard of

IEC 62196-2 2016 sheet 2-IIb/2-IIe

The static resistance is 220 ohm

Charging cable 5000mm 5*6mm²+2*0.5mm² Black TUV overall cable



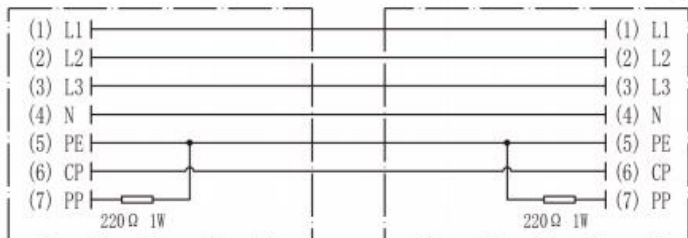
mode of connection

H07BZ5-F 5*6mm²+2*0.5mm²
Black TUV overall cable
OLR32160-BK

17.5±0.5

直缆或弹簧缆请订单备注

5000±100mm



DWG. SYM	S	A	PROJ. SYM	Yanzhou Teison New Energy Co., Ltd.
MATL	Specifications		WEIGHT	NAME Charging connectors
DESIGNED	DATE	CHECK	DATE	STOCKCHECKED
CHECKED	DATE	PROCESS	DATE	APPROVED
DRAW NO. AG-IEC2-IIb/e-32P-3				SCALE
PART NO.				SHEET X OF X